

General Purpose Grapple

GP5 - Mini Grapple

SPECIFICATIONS

ITEM	U.S.A.	METRIC
Excavator Weight (approx)	4,000-6,000 lbs	1.8-2.7 m tons
Attachment Weight (approx)	185 lbs	84 kg
Grapple Opening	34 in.	864 mm
Fully Closed	2.3 in.	58 mm
Front Half Width	4.5 in.	114 mm
Back Half Width	14.5 in.	368 mm

Excavator weight recommendation is based on standard excavator or backhoe weights and boom and/or arm lengths. All applications must be approved by LaBounty Manufacturing prior to sale.

Actual payload will depend upon materials handled.

NOTE: Weights, dimensions and operating specifications listed on this sheet are subject to change without notice. Where specifications are critical to your application, consult LaBounty.

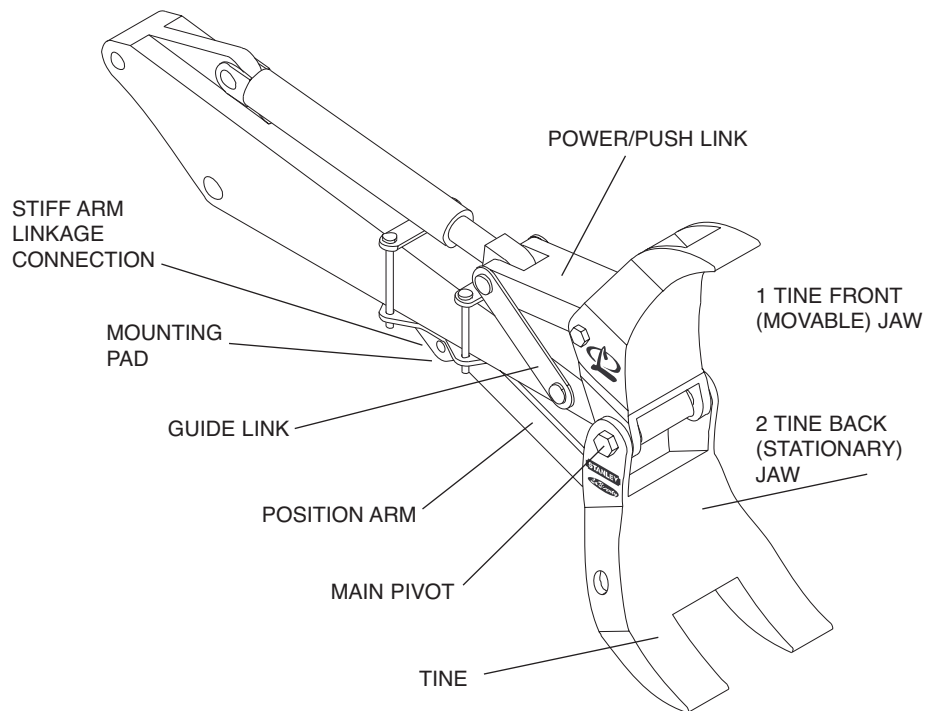
Features and Benefits

LaBounty **GP5** Grapple is designed for versatility. With a one-tine front jaw and a two-tine fixed back jaw, this grapple has been proven in field applications.

Ease of Installation.

The GP Grapple pins on in place of the excavator or backhoe bucket, thereby eliminating the need for additional hydraulics. The moveable front jaw, activated by the base machine's bucket cylinder, closes into the fixed back jaw. The back jaw is pinned in place with a position arm. The mounting pad can either be welded or bolted on to the excavator arm.

GP5 GENERAL PURPOSE GRAPPLE COMPONENTS



GP5 TESTED AND PROVEN

“LaBounty asked me to use the **GP5** as part of their field test and to work it hard. So I did. I had to reinforce a wash out area of a stream that ran through the back yard of a house. Access to the area was tight – I couldn’t get any equipment other than the Bobcat to the site. I used the grapple to pick out junk from the stream and to place rock and concrete slabs for rip-rap.

“The grapple worked great! I think the job would have taken me several days any other way because I was going to load the debris in the bucket by hand, and I really didn’t have a good plan for placing the riprap. With the grapple I finished the job in one day. It was a tough little thing – I wasn’t gentle with it.”

Equipment Operator;
Ed Symons – Two Harbors, MN

“I knew from the start that a mini grapple would work and benefit the end user. I worked on the design of the first HDR style grapple some 25 years ago and I saw the differences those grapples made in the market place. We gave excavator owners the ability to use their excavators to their fullest capability – more than they could do with just a bucket. There was no reason why we couldn’t do the same thing for mini excavators.

“It’s no surprise to me that the **GP5** was so successful in our field test. We designed it to be tough with very little maintenance.”

LaBounty R & D Manager,
Mark Rafn

“I have to admit that I was skeptical at first about the value of a grapple that small. But after I saw the results of our field tests, I knew we had another winner.

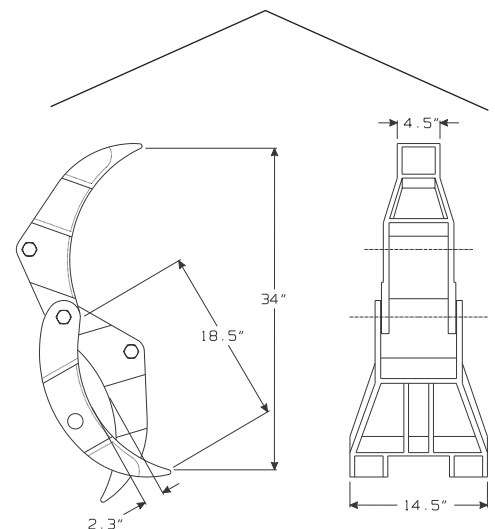
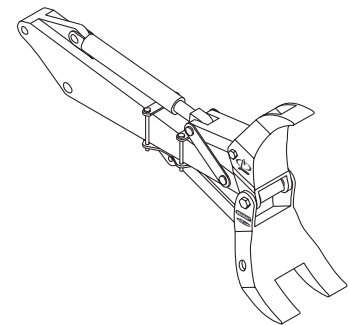
“I own a small hobby farm and all I could think of after I saw the UPS work was ‘*Wow could I get a lot of work done around this place if I had one.*’ The ability to select, pick and place material is tremendous. Combined with the strength of the grapple, it makes almost any task possible. Not to mention that the mini excavator allows you to get into tight places.”

LaBounty Product Line Manager,
Uwe Kausch

WARRANTY

Stanley Hydraulic Tools and their associated parts are warranted against defects in materials and workmanship for a period of twelve months from the date of purchase. Stanley Hydraulic Tools reserves the right to repair or replace only those parts which prove to have been defective at the time of purchase. This warranty becomes void if maximum flow and pressure ratings are exceeded.

GP5 - A CLOSER LOOK



All Stanley Hydraulic Tools, Parts, Accessories and allied equipment are subject to design improvements, specification and price changes at any time without notice and with no obligation to units already sold. Weights, dimensions and operating specifications listed herein are subject to change without notice. Where specifications are critical to your application, please consult Stanley Hydraulic Tools.

Call the Stanley LaBounty dealer nearest you...

STANLEY

LaBounty

Stanley LaBounty

1538 Highway 2

Two Harbors, MN 55616 USA

Tel 218-834-2123 Fax 218-834-3879